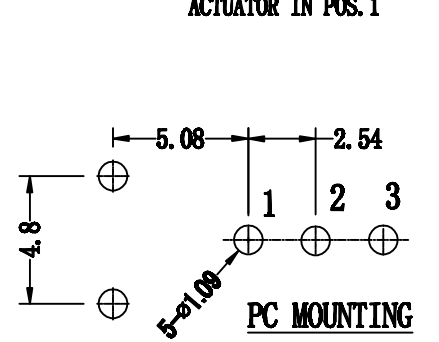
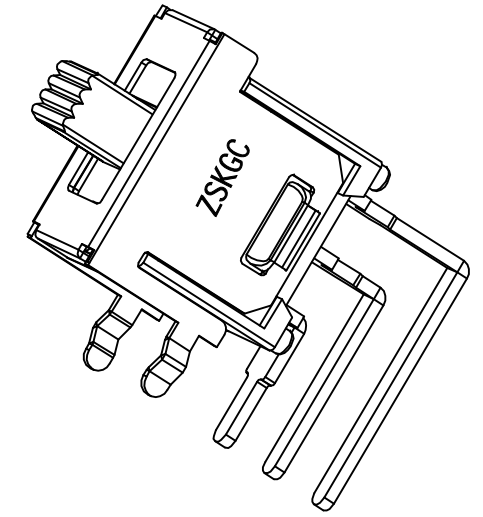
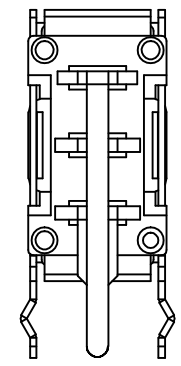
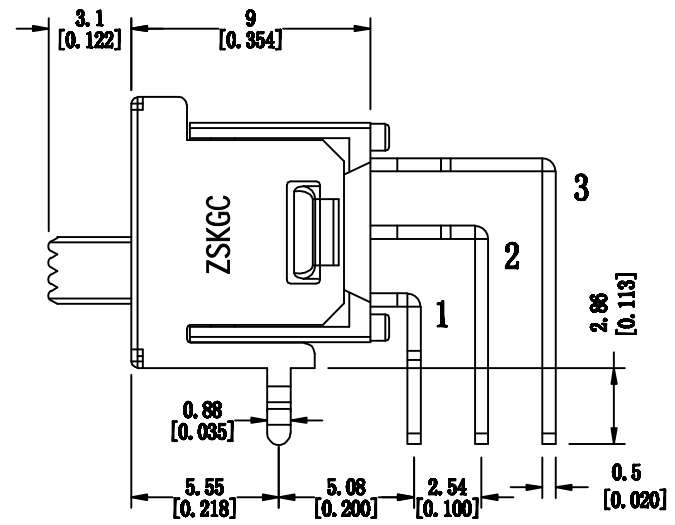
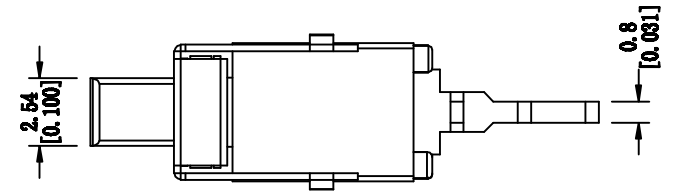


ACTUATOR IN POS. 1



PC MOUNTING



Model NO.	SWITCH FUNCTION		
	POS. 1	POS. 2	POS. 3
SS1-102	ON	NONE	ON
CONN. TERMINALS	2-1	N/A	2-3
SCHMATIC SPDT			

**Specifications**

CONTACT RATING: 0.4 VA max. @ 20 V AC or DC max.  
 MECHANICAL & ELECTRICAL LIFE: 30,000 make-and-break cycles at full load.  
 CONTACT RESISTANCE: 20 m Ω max. initial @ 2-4 V DC, 100 mA.  
 INSULATION RESISTANCE: 1000 MΩ min.  
 DIELECTRIC STRENGTH: 500 Vrms min.  
 OPERATING TEMPERATURE: -30°C to 85°C.

**Materials**

BASE: PPA (UL 94V-0).  
 HOUSING: Stainless steel with tin plate.  
 CONTACT/TERMINALS: Copper alloy silver plated.  
 TERMINAL SEAL: Epoxy.



公差 TOLERANCES		.X± 0.5 .XX± 0.25		角度 ± 5°		UNIT 单位 mm	SCALE 1:1				
版本 VERSION	AO	比例尺 SCALE	NONE	日期 DATE		TITLE 图名	SLIDE SWITCH				
核准 APPROVED BY	C. Z. Q	核对 CHECKED BY	H. Z. X	绘图 DRAWN BY	Y. J	DWG NO. 料号					
版本 VER.	变更说明 CHANGE DESCRIPTION	日期 DATE	ECN NO.	核准 APPROVED BY	C. Z. Q	核对 CHECKED BY	H. Z. X	绘图 DRAWN BY	Y. J	PART NO. 型号	SS1-0-102-A04-04-Q-N-RS